



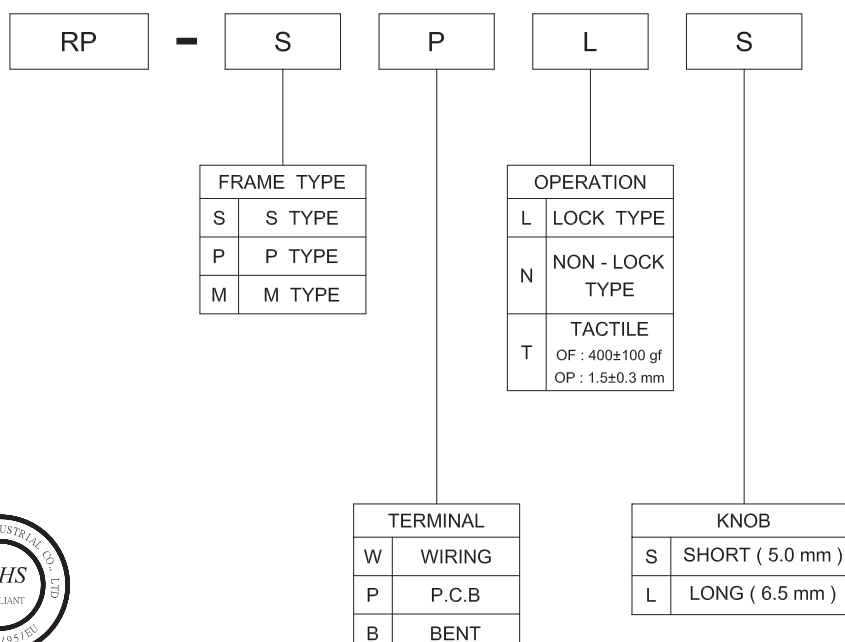
**Feature -**  
with screw mount installation  
wire and PCB terminal

**Application -**  
consumer products  
computer products  
instrumentation  
communication equipments

► **SPECIFICATIONS**

SWITCH SPECIFICATIONS	
POLE - POSITION	SPST , Momentary and Lock Type are Available
CONTACT RATING	120 V AC or 28 V DC , 1 A
CONTACT RESISTANCE	30 mΩ MAX. 1.5 V DC ; 100 mA , by Method of Voltage DROP
INSULATION RESISTANCE	100 MΩ MIN. 500 V DC
DIELECTRIC STRENGTH	Breakdown is not Allowable ; 500 V AC for 1 Minute
OPERATING FORCE	650 ± 150 gf
OPERATING LIFE	10,000 cycles
OPERATING TEMPERATURE RANGE	-20°C ~ 70°C
TOTAL TRAVEL	3.3 ± 0.3 mm

► **HOW TO ORDER**



# RP SERIES

## PUSH BUTTON SWITCH

### ▶ FRAME TYPE & TERMINAL TYPE

M TYPE	P TYPE	S TYPE
W TYPE	B TYPE	P TYPE

### ▶ DIMENSION

RP - MWNS	

### ▶ CIRCUIT

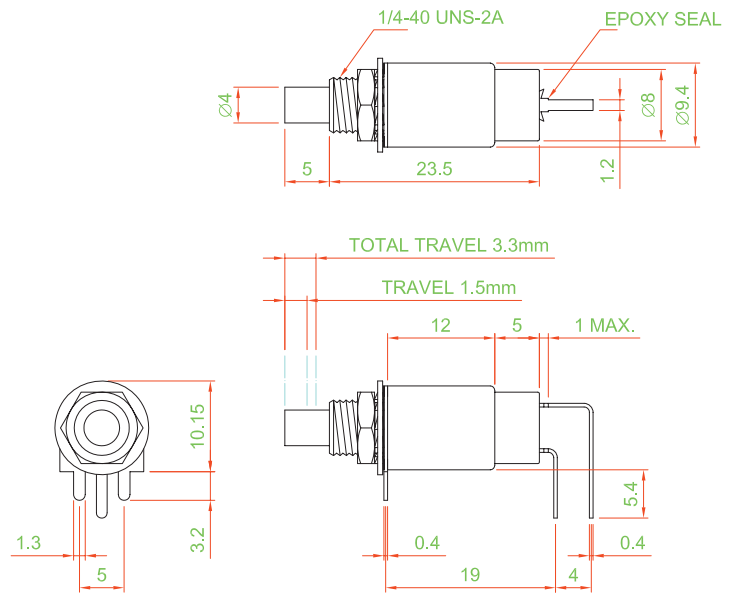
--

### ▶ P.C.B LAYOUT

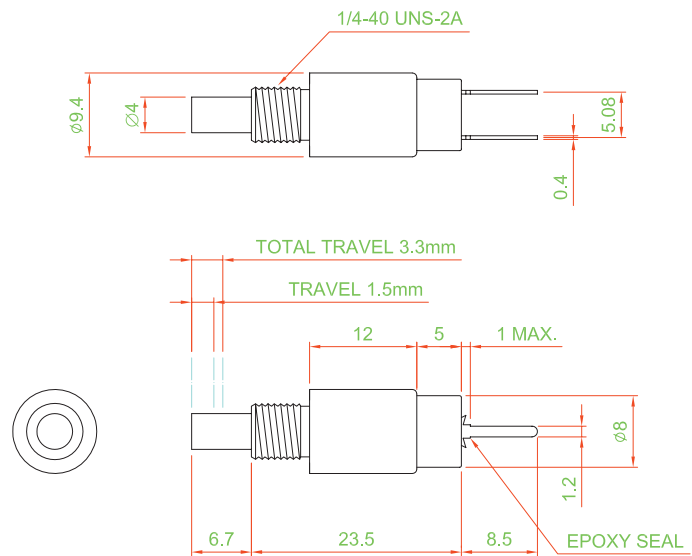
RP - □B□□	RP - □P□□

► DIMENSION

RP - PBNS



RP - SPLL



► MATERIAL

- FRAME : BRASS NICKEL PLATED
- ACTUATOR : POM
- BASE FRAME : PA66
- TERMINAL : BRONZE SILVER PLATING

► UNIT WEIGHT

- RP - MWNS : 5.0 ± 0.1 g / pc
- RP - PBNS : 4.0 ± 0.1 g / pc
- RP - SPLL : 3.0 ± 0.1 g / pc